

This document contains proprietary information and such information may not be disclosed to others for any purposes, not used for sales/marketing/procurement purposes without written permission

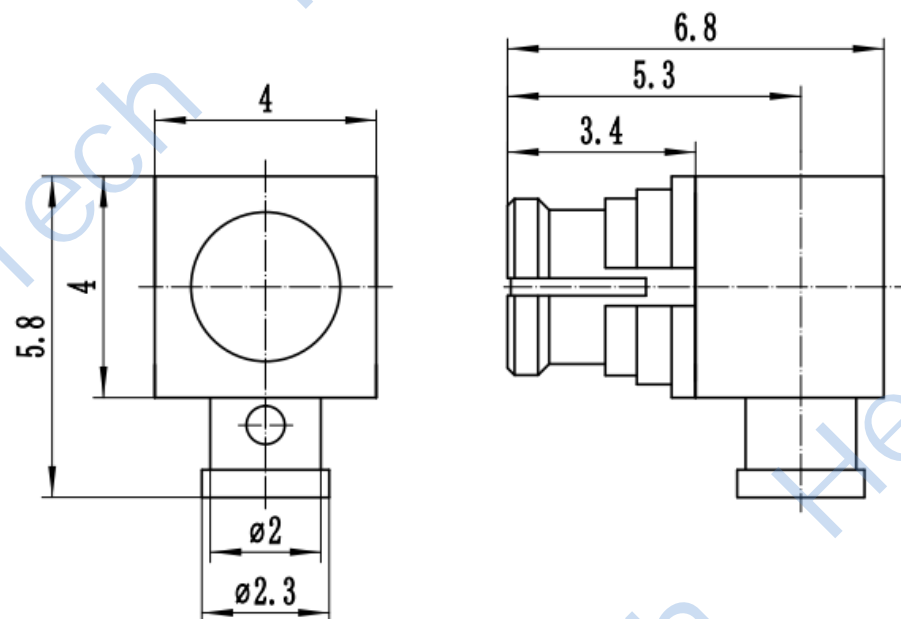
REV	DESCRIPTION OF REVISION	ECN NO.	BY	DATE	APPROVED
A	Initial Release	—	H.wei	19/03/17	19/03/17

## 1 Electrical

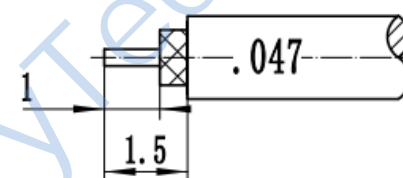
- 1.1 Impedance: 50 Ω
- 1.2 Frequency: DC~18.0GHz
- 1.3 VSWR: ≤1.30
- 1.4 Insulation resistance: ≥5000M Ω
- 1.5 Dielectric strength: 500V
- 1.6 Contact resistance
  - Center contact ≤ 6.0M Ω
  - Outer contact ≤ 2.0M Ω

## 2 Materials&Finish

- 2.1 Inner Contact: Beryllium-Copper, Gold plated
- 2.2 Outer Contact: Beryllium-Copper, Gold plated
- 2.3 Insulators: PTFE



Recommended cable stripping dimensions



### Notes:

- 1. ALL SPECIFICATIONS ARE SUBJECT TO CHANGE NOTICE AT ANY TIME
- 2. CUSTOMER OUTLINE DRAWING FOR REFERENCE ONLY

DRAWN: H.wei 19/03/17
ENGINEER: L.yu 19/03/17
APPROVED: W.yi 19/03/17
TOLERANCES UNLESS OTHERWISE SPECIFIED
X ±0.50
X ±0.20
.XX ±0.10
ANGLES ±1°

TITLE:  
RF Coaxial Connector  
SMP Female for 047 Cable



DIMENSION IN MILLIMETERS (mm)

PART NO: HL-SMP-KWB1	SIZE: A4	SCALE: N/A	SHEET: 1/1	REV: A
----------------------	----------	------------	------------	--------

Tel:Lee13890694956

Web:www.henglitaitech.com/cn