

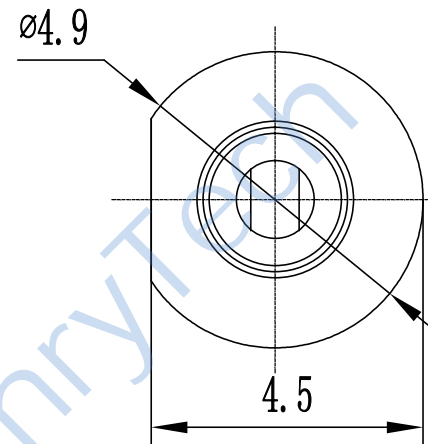
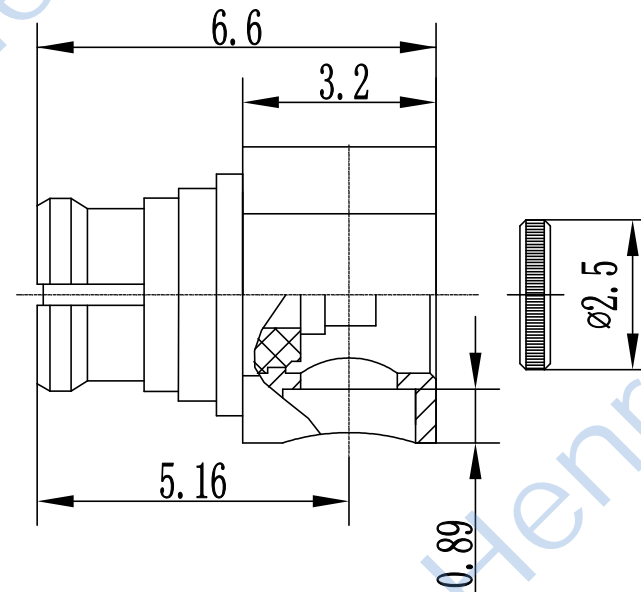
This document contains proprietary information and such information may not be disclosed to others for any purposes, not used for sales/marketing/procurement purposes without written permission

REV	DESCRIPTION OF REVISION	ECN NO.	BY	DATE	APPROVED
A	Initial Release	—	H.wei	2/4/15	2/4/15

1 Electrical
 1.1 Impedance: 50 Ω
 1.2 Frequency range: DC-18GHz
 1.3 VSWR: 1.40:1

2 Environmental&Mechanical
 2.1 Temperature range: -40℃~85℃
 2.2 RoHs Compliant
 2.3 Durability: 100 mating cycles
 2.4 Engagement force: 67N max
 2.5 Disengagement force: 22N min
 2.6 Axial retention force: 7N min

3 Materials&plating
 3.1 Body: Beryllium-copper, Gold Plated
 3.2 Insulator: Teflon
 3.3 Contact Pin: Beryllium-copper, Gold plated



Tel: Lee13890694956

Web: www.henglitaitech.com/cn

Notes:

- 1. ALL SPECIFICATIONS ARE SUBJECT TO CHANGE NOTICE AT ANY TIME
- 2. CUSTOMER OUTLINE DRAWING FOR REFERENCE ONLY

DRAWN: H.wei 2/4/15 ENGINEER: L.yu 2/4/15 APPROVED: W.yi 2/4/15 TOLERANCES UNLESS OTHERWISE SPECIFIED X ±0.50 .X ±0.20 .XX ±0.10 ANGLES ±1°	TITLE: HL-SMP-KWB2A SMP Female Right Angle Conn. For .086 Cable	
PART NO: HL-SMP-KWB2A	SIZE: A4 SCALE: N/A SHEET: 1/1 REV: A	

