

This document contains proprietary information and such information may not be disclosed to others for any purposes, not used for sales/marketing/procurement purposes without written permission

REV	DESCRIPTION OF REVISION	ECN NO.	BY	DATE	APPROVED
A	Initial Release	—	H.wei	19/03/17	19/03/17

1 Electrical

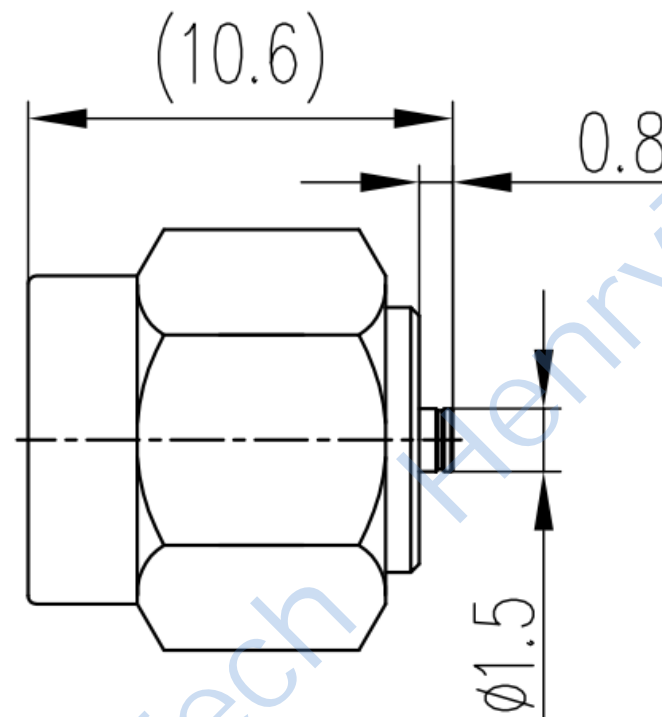
- 1.1 Impedance: 50Ω
- 1.2 Frequency: DC-6GHz
- 1.3 VSWR: 1.20:1

2 Mechanical&Environmental

- 2.1 Temperature range -45°C ~+85°C
- 2.2 Durability(matings) >500
- 2.3 RoHs Compliant Yes

3 Material&Finish

- 3.1 Pin contact: Beryllium-Copper, gold plated
- 3.2 Body: Stainless Steel(SU303), Passivated
- 3.3 Insulators: Teflon



Tel:Lee13890694956

Web:www.henglitaitech.com/cn

Notes:

- 1. ALL SPECIFICATIONS ARE SUBJECT TO CHANGE NOTICE AT ANY TIME
- 2. CUSTOMER OUTLINE DRAWING FOR REFERENCE ONLY

DRAWN: H.wei 19/03/17
ENGINEER: L.yu 19/03/17
APPROVED: W.yi 19/03/17
TOLERANCES UNLESS OTHERWISE SPECIFIED
X ±0.50
.X ±0.20
.XX ±0.10
ANGLES ±1°

TITLE:
Precision Adapter
SMA Male to U.FL Male



DIMENSION IN MILLIMETERS (mm)

PART NO: HL-SMA-IPEX4-JJG

SIZE: A4

SCALE: N/A

SHEET: 1/1

REV: A