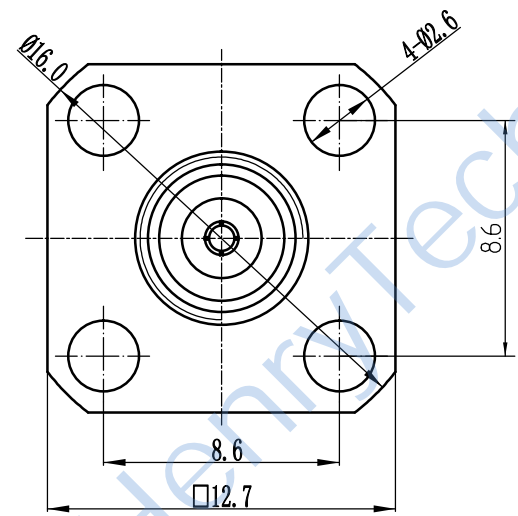
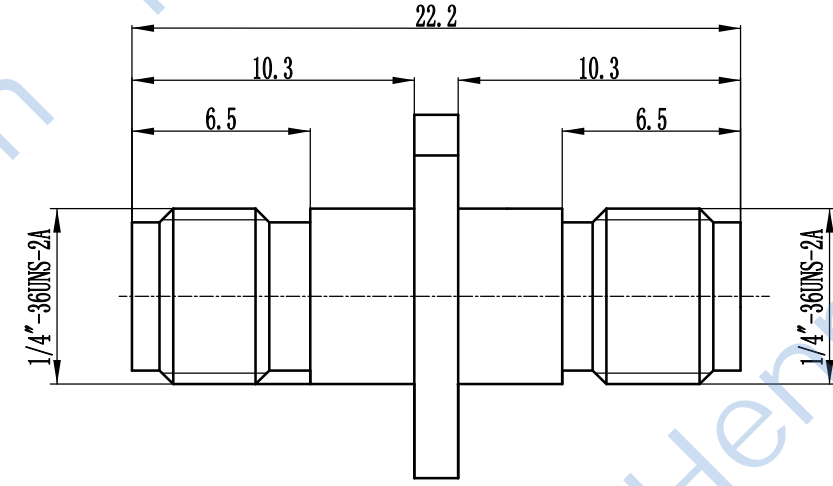


This document contains proprietary information and such information may not be disclosed to others for any purposes, not used for sales/marketing/procurement purposes without written permission

REV	DESCRIPTION OF REVISION	ECN NO.	BY	DATE	APPROVED
A	Initial Release		H.wei	1/8/14	1/8/14

- 1 Electrical
 - 1.1 Impedance: 50 Ω
 - 1.2 Frequency: DC-40GHz
 - 1.3 VSWR: 1.25:1
- 2 Mechanical&Environmental
 - 2.1 Temperature range -45°C ~+85°C
 - 2.2 Durability(matings) >500
 - 2.3 RoHs Compliant Yes
- 3 Material&Finish
 - 3.1 Pin contact: Beryllium-Copper, gold plated
 - 3.2 Body: Stainless Steel(SU303), Passivated
 - 3.3 Insulators: PEI
- 4 Interface Standards
 - 4.1 2.92 MIL-STD-348A



Tel:Lee13890694956
 Web:www.henglitaitech.com/cn

Notes:
 1. ALL SPECIFICATIONS ARE SUBJECT TO CHANGE NOTICE AT ANY TIME
 2. CUSTOMER OUTLINE DRAWING FOR REFERENCE ONLY

DRAWN: H.wei 1/8/14 ENGINEER: L.yu 1/8/14 APPROVED: W.yi 1/8/14 TOLERANCES UNLESS OTHERWISE SPECIFIED X ±0.50 X ±0.20 XX ±0.10 ANGLES ±1°	TITLE: Precision Adapter 2.92 Female to 2.92 Female Flange Adapter PART NO: HL-2.92-KFKG	
	DIMENSION IN MILLIMETERS (mm) 	SIZE: A4 SCALE: N/A SHEET: 1/1 REV: A