

This document contains proprietary information and such information may not be disclosed to others for any purposes, not used for sales/marketing/procurement purposes without written permission

REV	DESCRIPTION OF REVISION	ECN NO.	BY	DATE	APPROVED
A	Initial Release	—	H.wei	19/03/17	19/03/17

1 Electrical data

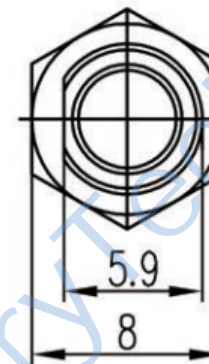
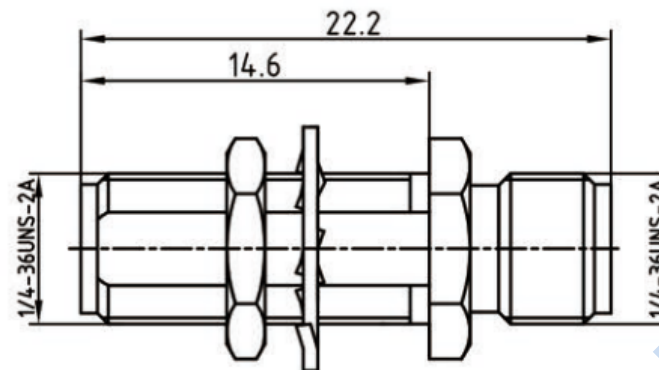
- 1.1 Impedance: 50Ω
- 1.2 Frequency: DC-6GHz
- 1.3 VSWR 1.2:1

2 Mechanical data

- 2.1 Temperature range -45°C ~+85°C
- 2.2 Durability(matings) >500

3 Material&Finish

- 3.1 Pin contact: Beryllium-copper, gold plated
- 3.2 Body: Brass gold plated
- 3.3 Insulators: PTFE



Tel:Lee13890694956

Web:www.henglitaitech.com/cn

Notes:

- 1. ALL SPECIFICATIONS ARE SUBJECT TO CHANGE NOTICE AT ANY TIME
- 2. CUSTOMER OUTLINE DRAWING FOR REFERENCE ONLY

DRAWN: H.wei 19/03/17
ENGINEER: L.yu 19/03/17
APPROVED: W.yi 19/03/17
TOLERANCES UNLESS OTHERWISE SPECIFIED
X ±0.50
.X ±0.20
.XX ±0.10
ANGLES ±1°

TITLE:
RF Adapter
SMA Female to Female
Bulkhead Adapter



PART NO: HL-SMA-KYKA	SIZE: A4	SCALE: N/A	SHEET: 1/1	REV: A
----------------------	----------	------------	------------	--------