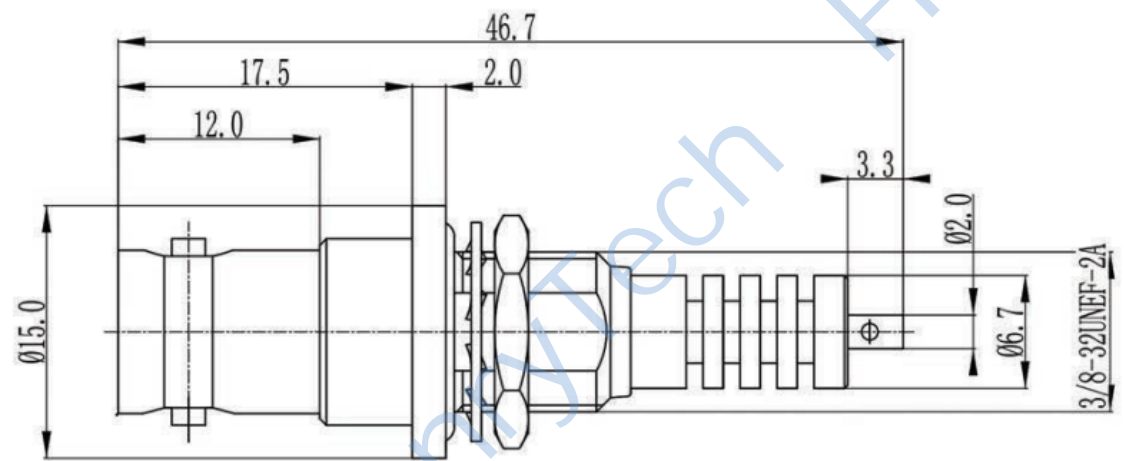
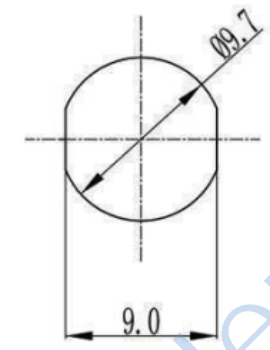


This document contains proprietary information and such information may not be disclosed to others for any purposes, not used for sales/marketing/procurement purposes without written permission

REV	DESCRIPTION OF REVISION	ECN NO.	BY	DATE	APPROVED
A	Initial Release	—	H.wei	19/03/17	19/03/17



Mounting Hole



- 1 Electrical
 - 1.1 Frequency:0-0.3GHz
- 2 Mechanical
 - 2.1 Center contact: solder
- 3 Environmental
 - 3.1 Operating temperature -65° to 165°
 - 3.2 RoHs compliant
- 4 Material&Finish
 - 4.1 Inner Contact: brass, gold plated
 - 4.2 Outer Contact: nickel,gold plated
 - 4.3 Insulators: PTFE

Tel:Lee13890694956
Web:www.henglitaitech.com/cn

Notes:
1. ALL SPECIFICATIONS ARE SUBJECT TO CHANGE NOTICE AT ANY TIME
2. CUSTOMER OUTLINE DRAWING FOR REFERENCE ONLY

DRAWN: H.wei 19/03/17
ENGINEER: L.yu 19/03/17
APPROVED: W.yi 19/03/17
TOLERANCES UNLESS OTHERWISE SPECIFIED X ±0.50 X ±0.20 XX ±0.10 ANGLES ±1°

TITLE: High Voltage RF Connector SHV male Bulkhead Connector For Terminal
PART NO: HL-SHV-JYD3

DIMENSION IN MILLIMETERS (mm)			
SIZE: A4	SCALE: N/A	SHEET: 1/1	REV: A