

This document contains proprietary information and such information may not be disclosed to others for any purposes, not used for sales/marketing/procurement purposes without written permission

| REV | DESCRIPTION OF REVISION | ECN NO. | BY | DATE | APPROVED |
|-----|-------------------------|---------|-------|----------|----------|
| A | Initial Release | — | H.wei | 17/03/15 | 17/03/15 |

1 Electrical

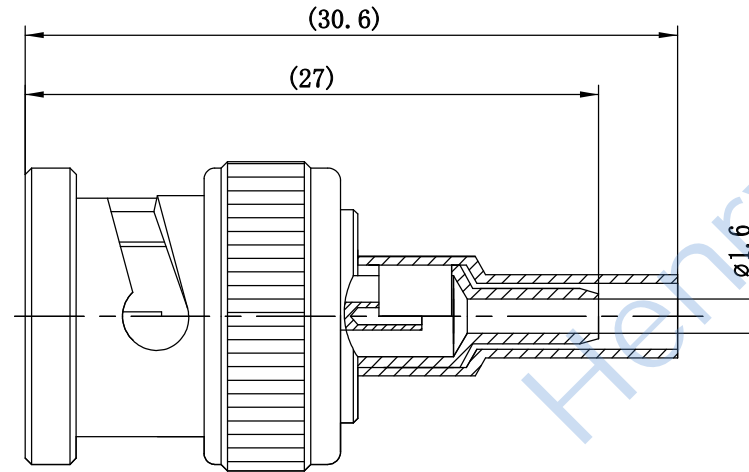
- 1.1 Frequency: 0-4GHz
- 1.2 Impedance: 50 Ω
- 1.3 Working voltage: ≤500V
- 1.4 Insulation resistance: ≥5000MΩ
- 1.5 Dielectric withstanding voltage: 1500V
- 1.6 Center contact resistance ≤ 1.5MΩ
- 1.7 Outer contact resistance ≤ 1MΩ
- 1.8 VSWR: ≤1.15+0.05F

2 Environmental&Mechanical

- 2.1 Temperature range -40℃~+125℃
- 2.2 RoHs Compliant
- 2.3 Durability >500 cycles

3 Material&Finish

- 3.1 Inner Contact: brass, gold plated
- 3.2 Outer Contact: Brass, nickel plated
- 3.3 Insulators: Teflon



Tel: Lee13890694956

Web: www.henglitaitech.com/cn

Notes:

- 1. ALL SPECIFICATIONS ARE SUBJECT TO CHANGE NOTICE AT ANY TIME
- 2. CUSTOMER OUTLINE DRAWING FOR REFERENCE ONLY

| | |
|---------------------------------------|-------|
| DRAWN: H.wei 17/03/15 | |
| ENGINEER: L.yu 17/03/15 | |
| APPROVED: W.yi 17/03/15 | |
| TOLERANCES UNLESS OTHERWISE SPECIFIED | |
| X | ±0.50 |
| .X | ±0.20 |
| .XX | ±0.10 |
| ANGLES | ±1° |

| | |
|----------|---|
| TITLE: | RF Coaxial Connector |
| | BNC male Right Angle Conn. for RG316 Cable Crimp Sky window |
| PART NO: | HL-BNC-J3CYA |

| | | | |
|-------------------------------|--------|--------|------|
| | | | |
| DIMENSION IN MILLIMETERS (mm) | | | |
| SIZE: | SCALE: | SHEET: | REV: |
| A4 | N/A | 1/1 | A |