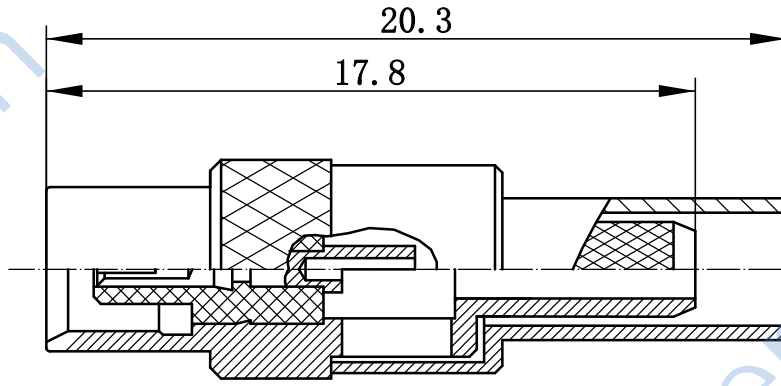


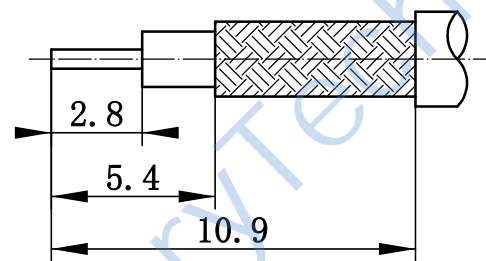
This document contains proprietary information and such information may not be disclosed to others for any purposes, not used for sales/marketing/procurement purposes without written permission

REV	DESCRIPTION OF REVISION	ECN NO.	BY	DATE	APPROVED
A	Initial Release	—	H. wei	12/7/06	12/7/06

- 1 Electrical
  - 1.1 Impedence 50 Ω
  - 1.2 Frequency DC-3GHz
  - 1.3 Dielectric withstanding voltage 750V(volts RMS)
  - 1.4 Center contact resistance ≤ 5M Ω
  - 1.5 Outer contact resistance ≤ 2.5M Ω
  - 1.6 Insulation resistance: ≥1000M Ω
- 2 Environmental&Mechanical
  - 2.1 Temperature range -45°C~125°C
  - 2.2 RoHs Compliant
  - 2.3 Durability >500 cycles
- 3 Materials&Finish
  - 3.1 Body: Brass, Gold plated
  - 3.2 Insulator: Teflon
  - 3.3 Contact Pin: Beryllium copper, gold plated



Cable Stripping Dimension



Tel: Lee13890694956  
 Web: www.henglitaitech.com/cn

Notes:  
 1. ALL SPECIFICATIONS ARE SUBJECT TO CHANGE NOTICE AT ANY TIME  
 2. CUSTOMER OUTLINE DRAWING FOR REFERENCE ONLY

DRAWN: H. wei 12/07/06 ENGINEER: L. yu 12/07/06 APPROVED: W. yi 12/07/06 TOLERANCES UNLESS OTHERWISE SPECIFIED .X ±0.50 .X ±0.20 .XX ±0.10 ANGLES ±1°	TITLE: RF Coaxial Connector MCX male Str. Conn. For RG316/RG174 cable	
PART NO: HL-MCX-K3CA	SIZE: A4 SCALE: N/A SHEET: 1/1 REV: A	DIMENSION IN MILLIMETERS (mm)